

SPECIFICATION

A: MATERIAL:

- 1. BODY: PA66
- 2. TERMINAL: CU PLATED Sn
- 3. PIN: CU PLATED Ni

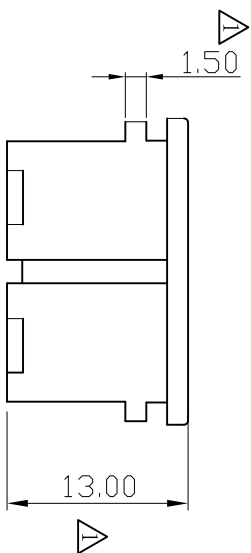
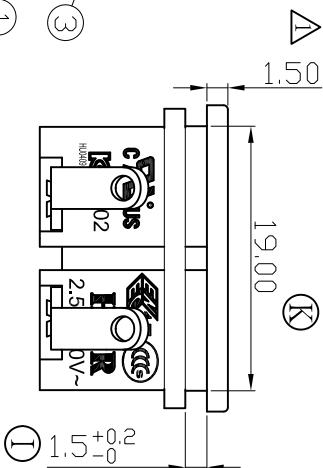
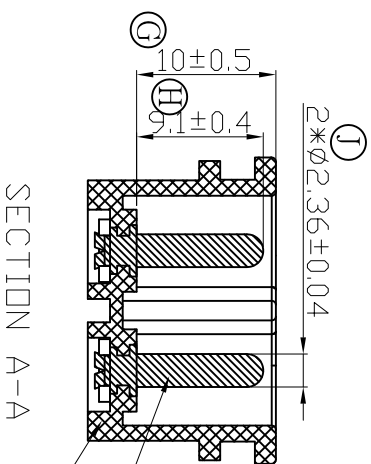
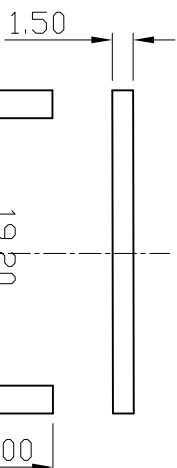
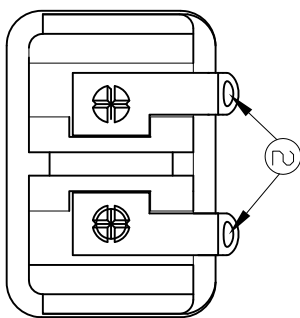
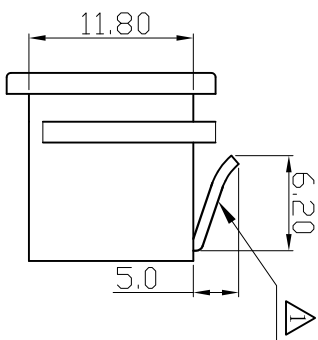
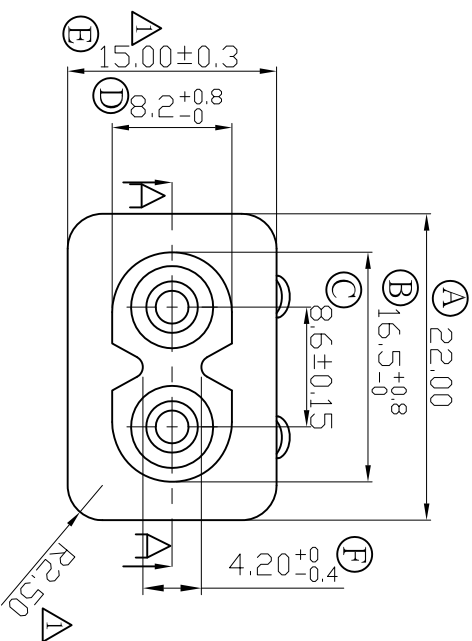
B: CHARACTERISTICS:

- 1. RATING: 2.5A 250V~(C-ULus, ENEC & CCC & KC)
- 2. INSULATION RESISTANCE: 100MΩ MIN. AT 500VDC
- 3. ELECTRIC STRENGTH : 3000 VAC/1MIN. LEAKAGE CURRENT UNDER 0.5mA

C: APPROVALS: C-ULus, ENEC & CCC & KC

D: MATERIAL USED MUST BE COMPLY WITH HQI-00110

E: CAN MEET ROHS, ROHS2.0, HF



PANEL CUT-OUT

TOLERANCES UNLESS OTHERWISE 未指定容許尺寸之公差	
BASIC DIMENSIONS TOLERANCES	±0.15
UP TO 10 (10以下)	±0.3
ABOVE 10 TO 30(10~30)	±0.5
ABOVE 30 TO 100(30~100)	±5°
ANGULAR DIMENSIONS(角度)	±5°
DIMENSION UNIT	mm

東莞市華之力電子有限公司 DONGGUAN HCR ELECTRONICS CO., LTD.

2									
1									
0	2012/11/17	1.新制訂	REVISION DESCRIPTION	REVISION	DRAWN	APPROVED			

核准	AaronJin	日期	20121117	投影法	第一角	機型	INLET SOCKET
校對	RZTang	日期	20121117	比例	1:1	型號	SK02
繪圖	Weichen	日期	20121117	路徑	SK02\820043	料號	SK02-0101172221H